

PERI UP Easy

The lightweight and fast frame scaffold for safe working on facades

Product Brochure – Issue 03/2018



Content

Focusing on

- 4 PERI UP Easy Frame
- 5 PERI UP Easy Scaffold Decks

Advantages of PERI UP Easy

- 7 The lightweight and fast facade scaffolding for safe working conditions
- 8 Low weight
- 9 High degree of safety
- 10 Fast assembly

System overview

- 12 PERI UP Easy at a glance

Standard applications

- 14 Execution of internal and external corners, connection of supports and console brackets
- 16 Installation of external PERI UP Flex stairs, PERI UP Easy anchor connections, assembly of internal bracing

PERI UP Construction Kit

- 18 Special range of applications: combination possibilities with PERI UP Flex
- 22 Overview of applications and products

Issue 03 | 2018

Publisher

PERI GmbH
Formwork Scaffolding Engineering
Rudolf-Diesel-Strasse 19
89264 Weissenhorn
Germany
info@peri.com
www.peri.com

	Project examples
24	PERI UP Easy in use

	Components
26	PERI UP Easy components

Important information

All current safety regulations and guidelines applicable in those countries where our products are used must be observed.

The photos shown in this brochure feature construction sites in progress. For this reason, safety and anchor details in particular cannot always be considered as conclusive or final. These are subject to the risk assessment carried out by the contractor.

In addition, computer graphics are used which are to be understood as system representations. For ensuring a better understanding, these and the detailed illustrations shown have been partially

reduced to show certain aspects. The safety installations which have possibly not been shown in these detailed descriptions must nevertheless still be available. The systems or items shown might not be available in every country.

Safety instructions and load specifications are to be strictly observed at all times. Separate structural calculations are required for any deviations from the standard design data.

The information contained herein is subject to technical changes in the interests of progress. Errors and typographical mistakes reserved.

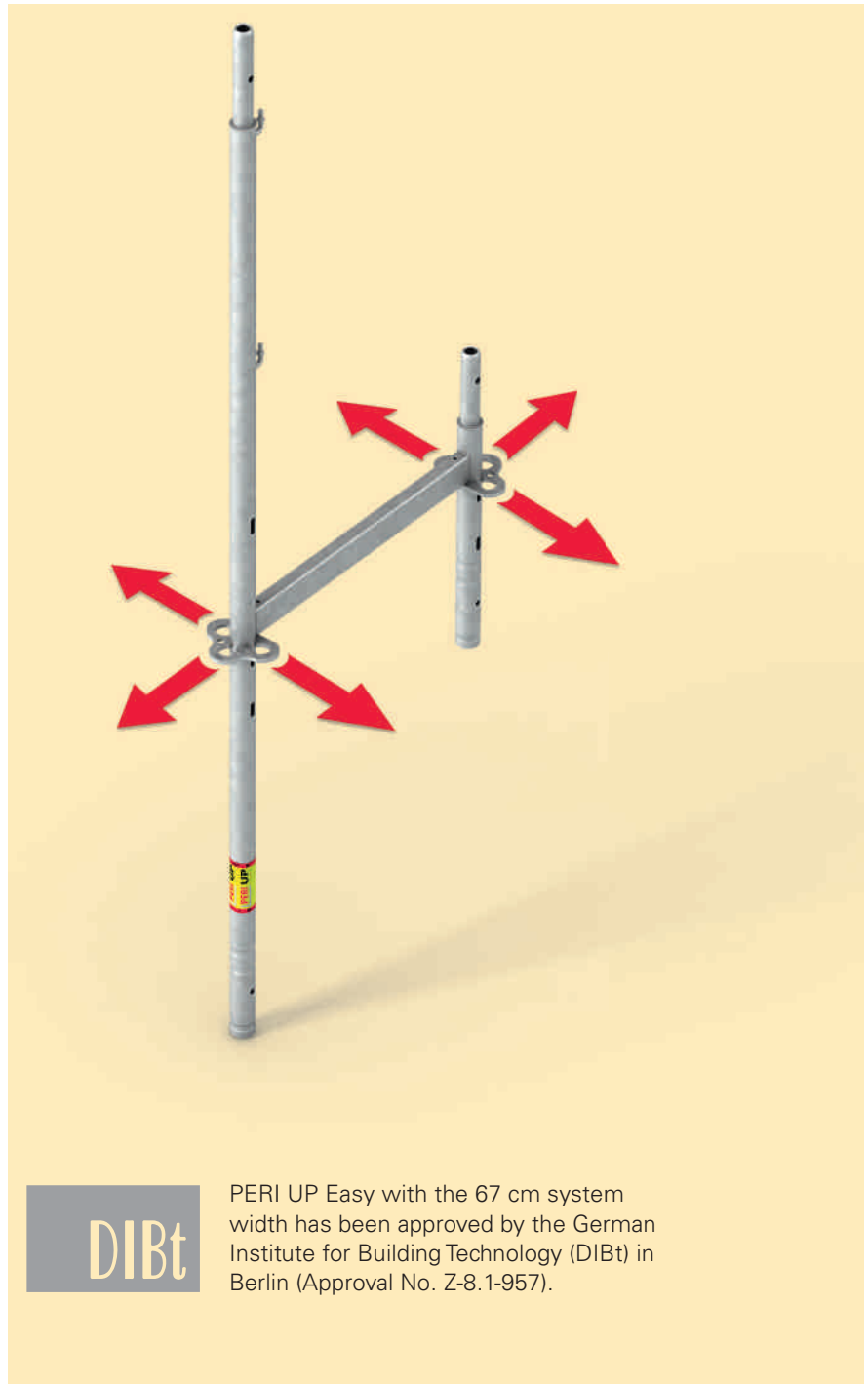
The PERI UP Easy Frame

Fast working operations in facade scaffolding construction

The distinctive design detail of the Easy Frame is the integrated scaffold nodes. Ledgers, supports and console brackets are directly mounted in the openings of the Rosett nodes; couplers are not required. Thus, for example, corners or external flights of stairs can also be quickly installed.

The low weight of the individual system components facilitates fast assembly. The heaviest frame component is the Easy Frame; it weighs 11.5 kg (for a 67 cm system width) and 12.5 kg (for a 100 cm system width)

Likewise, safety requirements are easily fulfilled with PERI UP Easy because the guardrail of the next scaffolding level is mounted from the lower level with the Easy Frame. For assembling the basic structure, no personal protective equipment to prevent falling from a height is required.



DIBt

PERI UP Easy with the 67 cm system width has been approved by the German Institute for Building Technology (DIBt) in Berlin (Approval No. Z-8.1-957).

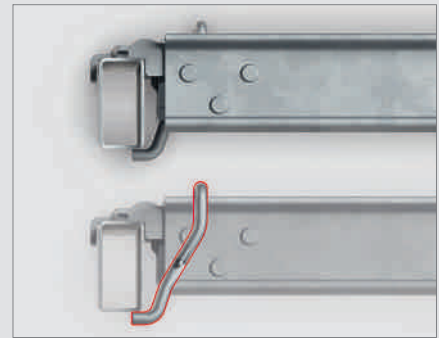
PERI UP Easy Scaffold Decks

The clever solution for all PERI UP applications

The decking for the PERI UP Easy Facade Scaffold – as with all other PERI UP solutions – has integrated protection against lifting.

The integrated protection against lifting

The integrated clamp engages the rectangular ledger and thus secures the position of the decking. PERI UP decks are also secured against lifting after installation without requiring any additional components. Individual scaffold bays can subsequently be removed if required, e.g. for bringing in materials.



Closed decking areas

PERI UP decking always completely covers the entire axial dimensions; there are no gaps or offsets – neither from bay to bay nor between decks positioned parallel to each other. Covers for gaps in the decking are therefore not required.



Continuous metric grid dimensions

PERI UP scaffolding technology is based on metric grid dimensions hence the Easy Frames are 67 cm and 100 cm wide. All PERI UP decks are available in incremental lengths of 50 cm whilst the widths of the decking also take into consideration the metre as the base unit.

Scaffolding	System width	Decking
PERI UP Easy Frame Scaffolding	67 cm (W 06)	Combi Deck W = 66 cm 2 x Steel Decks W = 33 cm
	100 cm (W 09)	3 x Steel Decks W = 33 cm 4 x Steel Decks W = 25 cm
PERI UP Flex Modular Scaffolding	75 cm (W 06)	3 x Steel Decks W = 25 cm
	100 cm (W 09)	3 x Steel Decks W = 33 cm 4 x Steel Decks W = 25 cm



PERI UP Easy

The lightweight and fast facade scaffolding for safe working conditions

PERI UP Easy is a "lightweight" among the steel facade scaffolding systems and stands for quick and simple assembly. As the guardrail of the next scaffolding level is mounted from the lower level with the Easy Frame, PERI UP Easy also provides a high level of safety in the system. Through the integrated scaffold nodes on the Easy Frame, PERI UP Easy can be combined with PERI UP Flex Modular Scaffolding.

The PERI UP Easy system width is 67 cm (for Width Class W 06) and 100 cm (for Width Class W 09) respectively. For the 67 cm system width, a one-piece combi-deck is available; alternatively, 33 cm wide steel decks can be used. For the 100 cm wide frame, 25 cm decks from the PERI UP Flex modular scaffolding system can also be installed.

All PERI UP decks have integrated protection against lifting. This is not only fast and safe but also allows subsequent opening and closing of individual scaffolding bays, e.g. for transporting materials.

Assembly of the basic structure takes place virtually without couplers whilst the Easy quick anchoring system also reduces assembly times. Numerous well-considered details, such as the execution of the external and internal corners with very few individual components, make PERI UP Easy fast and highly efficient.

In addition, assembly of the PERI UP Easy is a very safe procedure: due to the assembly logic with the Easy Frame, the scaffolder is secured against falling without requiring rope protection when assembling the basic structure.

Low weight

Fast working due to the low weight of the individual components

Page 8

High degree of safety

Fall protection without any additional components through the system-dependent assembly process

Page 9

Fast assembly

Mounting takes place with virtually no couplers and a minimum use of tools

Page 10

Special range of applications

Can be combined with PERI UP Flex system components

Page 18

PERI UP Easy is the lightweight frame scaffold for fast realization of facade scaffolding.



With PERI UP Easy decking, protection against lifting is integrated: the securing clamp reaches around the ledger and secures the deck each time.



With PERI UP Easy, internal and external corners are executed quickly requiring very few system components.

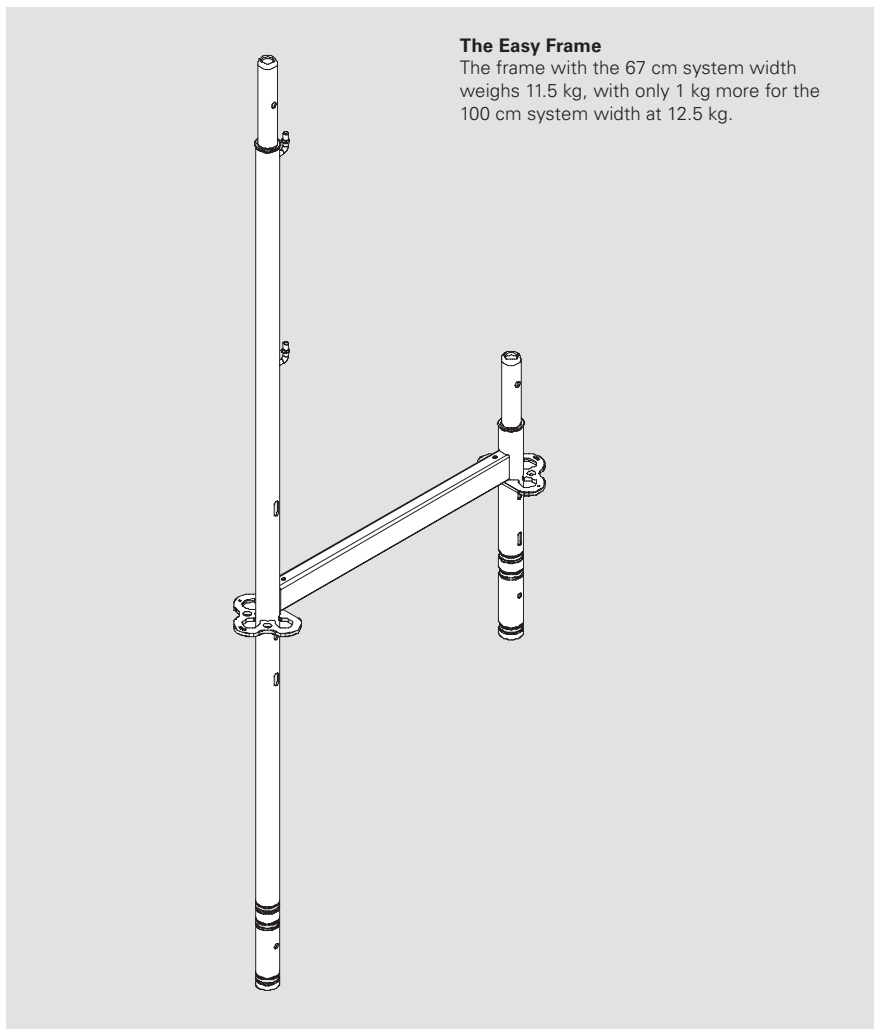


Low weight

Fast working due to the low weight of the individual components

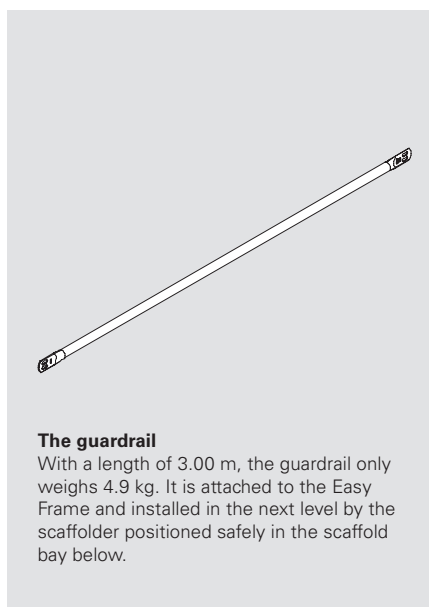
PERI UP Easy is a new type of scaffold system and is a "lightweight" among steel facade scaffolding systems. This reduces assembly and dismantling times as well as increasing the daily performance output.

The low weight of the system components has been achieved through several measures including the use of high-tensile steel. In addition, various design details contributed to the weight optimization process, e.g. the design of the ledger with its rectangular hollow profile.



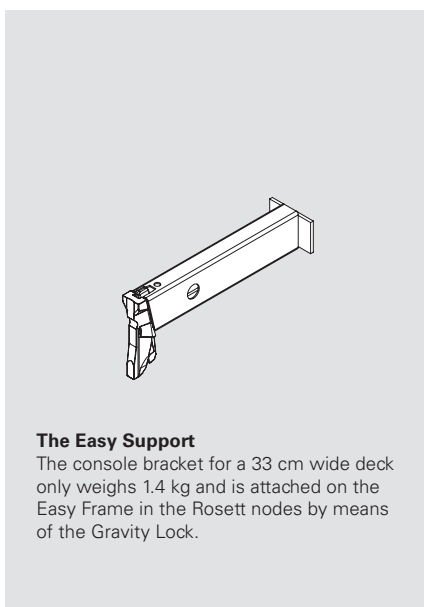
The Easy Frame

The frame with the 67 cm system width weighs 11.5 kg, with only 1 kg more for the 100 cm system width at 12.5 kg.



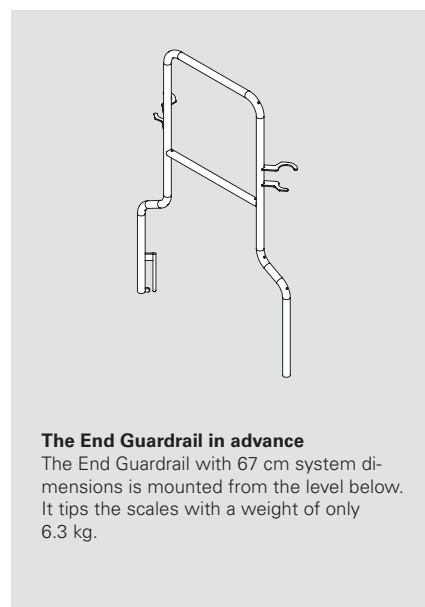
The guardrail

With a length of 3.00 m, the guardrail only weighs 4.9 kg. It is attached to the Easy Frame and installed in the next level by the scaffolder positioned safely in the scaffold bay below.



The Easy Support

The console bracket for a 33 cm wide deck only weighs 1.4 kg and is attached on the Easy Frame in the Rosett nodes by means of the Gravity Lock.



The End Guardrail in advance

The End Guardrail with 67 cm system dimensions is mounted from the level below. It tips the scales with a weight of only 6.3 kg.

High degree of safety

Fall protection without any additional components with protection provided by the guardrail mounted in advance



The guardrail for the next scaffolding level is mounted from the lower level with the Easy Frame. As a result, the scaffolder is in a safe position when entering the next level. Other details, such as the integrated lock against lifting, contribute to the safe use.

During the assembly of the basic structure, the guardrail for the next scaffolding level is attached and secured on the Easy Frame. The End Guardrail can also be mounted from below. The scaffolder is therefore already in a safe position to continue working when entering the next level. For safe assembly of the basic structure, no additional individual components are required nor must personal protective equipment to prevent falling be worn.

As an option, both guardrails can be attached to the Easy Frame and mounted from the lower level.



Both the combi decking with a 66 cm width as well as the 33 cm wide steel decks are designed with the integrated protection against lifting. Without exception, all decking covers the entire system width; there are no gaps between the decks.



The End Guardrail installed in advance is mounted from the lower scaffold level in the next higher level as permanent end end protection.

Fast assembly

Mounting takes place with virtually no couplers and a minimum use of tools

PERI UP Easy is particularly quick to assemble as almost no couplers are required for the basic structure. For installing the anchors, PERI developed the Easy Wall Tie. In addition, numerous elaborate design details, such as the simple execution of the external and internal corners, guarantee reduced assembly times.

The Gravity Lock for connecting ledgers and console brackets to the integrated scaffold nodes facilitates fast assembly: in the process, the securing wedge of the ledger or console bracket drops into the rosette opening due to its own weight and locks automatically. Thus, for example, console brackets as well as external PERI UP Flex modular scaffolding staircases can be quickly connected to the PERI UP Easy Frame without requiring any accessories.

Bracing and guardrails can also be quickly mounted without using any tools. For connecting the wall ties, the new Easy Wall Tie Coupler is used which is easily mounted by means of a simple turning movement.



Fast realization of the corners

For the standard configuration of the internal corner, two frame columns in the corner are simply connected with a ledger.



Rapid installation of face braces

After inserting the swivel head in the longitudinal hole, the brace is pushed down and secured in position with the locking ring.



Fast assembly of the guardrail

The longitudinal slot of the guardrail is placed over the guardrail hook and secured by a simple turning movement.



The Easy Support

For realizing the brackets, 25 cm as well 33 cm wide Easy Supports are available. These are quickly attached to the Easy Frame by means of the Gravity Lock.



Gerüstbau
Holzapfel

Gerüstbau
Holzapfel

PERI UP Easy at a glance





The PERI UP Easy Scaffolding System

- Can be used as working scaffold
- Can be used as protection scaffold Class D, and as roof safety scaffold with protection panels Class SWD 1 in accordance with DIN 4420-1: 2004-03
- Standard configuration with a system width $W = 67$ cm (Width Class W 06) with
 - Combi Deck $W = 66$ cm, loadable up to 2.00 kN/m^2 (LC 3)
 - Steel Decks $W = 33$ cm, loadable up to 3.00 kN/m^2 (LC 4) with $L = 3.00$ m
- Standard configuration with system width $W = 100$ cm (Width Class W 09) with
 - Steel Decks $W = 33$ cm, loadable up to 3.00 kN/m^2 (LC 4) with $L = 3.00$ m
 - Steel Decks $W = 25$ cm, loadable up to 3.00 kN/m^2 (LC 4) with $L = 3.00$ m

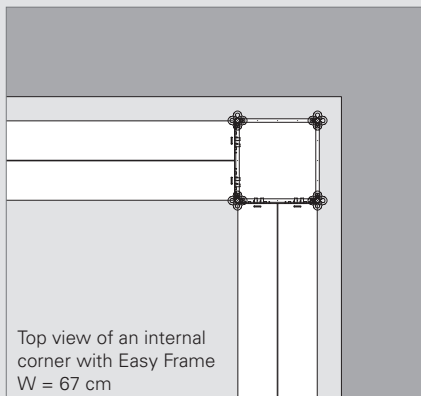
Execution of internal and external corners, connection of supports and console brackets

Simple execution of internal and external corners

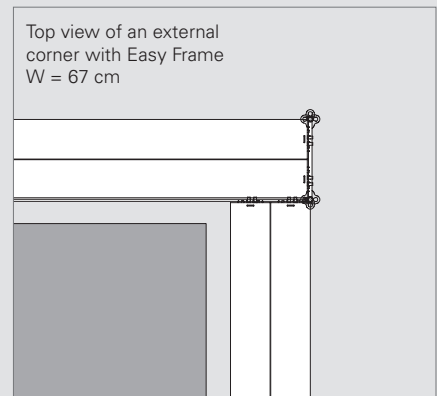
With PERI UP Easy, no additional frame columns are required for the realization of corners.

At the internal corner, two frame columns are very easily connected to a ledger in the corner itself. The internal corner bay is then covered with 2 steel decks.

One single frame is sufficient for the realization of the external corners, additional components are not required. The decking of the adjacent scaffolding bay can be easily mounted on the ledgers of the neighbouring scaffolding bay.



Standard configuration of the internal corner: two frame columns are connected in the corner by means of a ledger.



Standard configuration of the external corner: the ledger of the adjacent scaffolding bay conveniently serves as support for the decking – only one frame is therefore required.

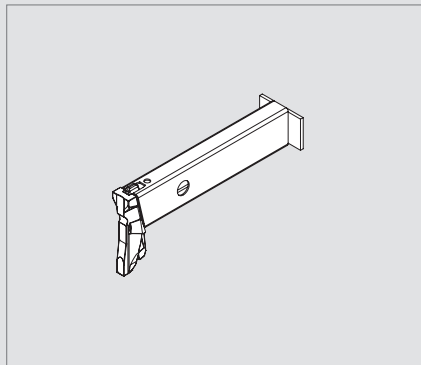
Fast connection of supports and console brackets

Supports and console brackets can be connected directly to the integrated scaffold nodes of the Easy Frame extremely quickly and without tools.

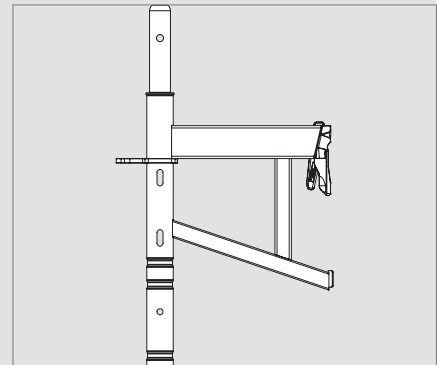
The product portfolio includes a range of supports and console brackets in order to widen the working areas as required or for gradual shortening of the width. Simple supports for additional decking with 25 cm and 33 cm widths are likewise available as well as console brackets with 33 cm, 67 cm and 100 cm widths.

The console brackets can also be used for protection roofs or protection panels. They are connected to the frame without couplers, and do not require any additional bracket support.

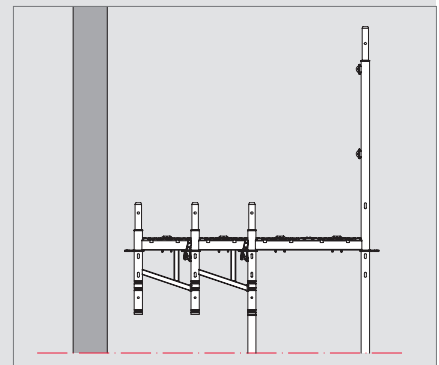
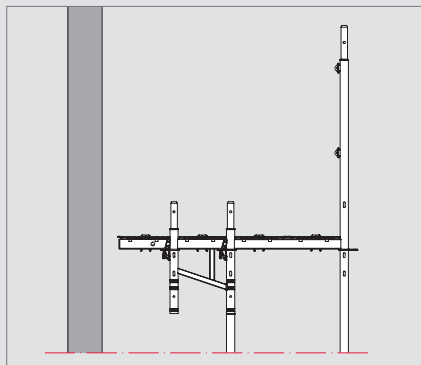
Console brackets can be extended with the Easy Support or positioned side-by-side; an advantage, e.g. for assembly of the Insulation Composite System.



The Easy Support for a 33 cm wide deck is hooked into the integrated scaffold nodes on the Easy Frame by means of the Gravity Lock.



The console brackets are available in widths of 33 cm, 67 cm and 100 cm.



Installation of external PERI UP Flex stairs, anchor connections, assembly of internal bracing

Installation of external PERI UP Flex stairs



PERI UP staircases can also be directly mounted by means of the integrated scaffold node on the Easy Frame.

Ledgers of the PERI UP Flex Modular Scaffolding can be directly connected to the rosette nodes of the Easy Frame. In addition, PERI UP Flex Stairs with 75 cm widths can be connected without any additional frame columns or couplers.

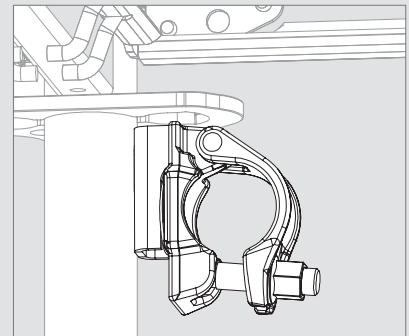
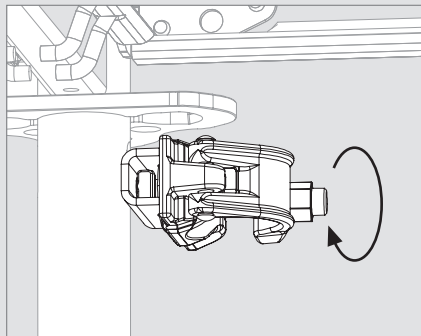
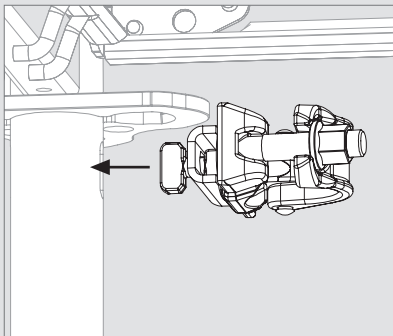
The transition from the stairs to the scaffold bay is covered without leaving any gaps; therefore, no gap covering is required.



The PERI UP Easy anchor connection

The Easy anchor connection is simply inserted in the slotted hole on the Easy Frame or in the console bracket, and then secured by a 90° turn.

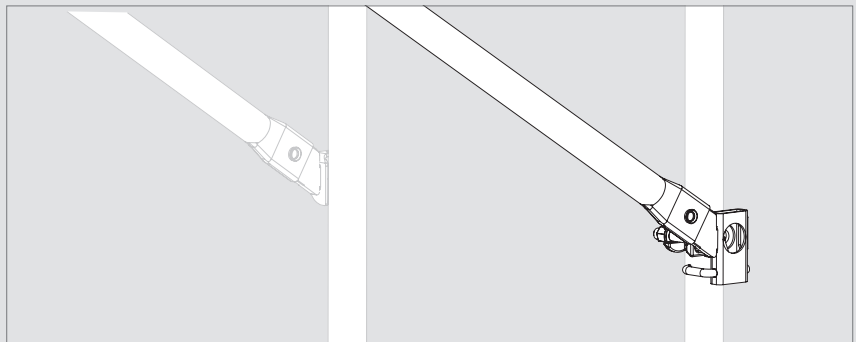
The Easy anchor connection can be quickly installed in different slotted hole positions, and without tools. This results in a range of possible installation angles for the anchoring.



Assembly of internal bracing

For assembling the internal bracing, the portfolio includes a Brace Adapter.

The Brace Adapter is bolted to the inner standard; subsequently, the face braces can be mounted.



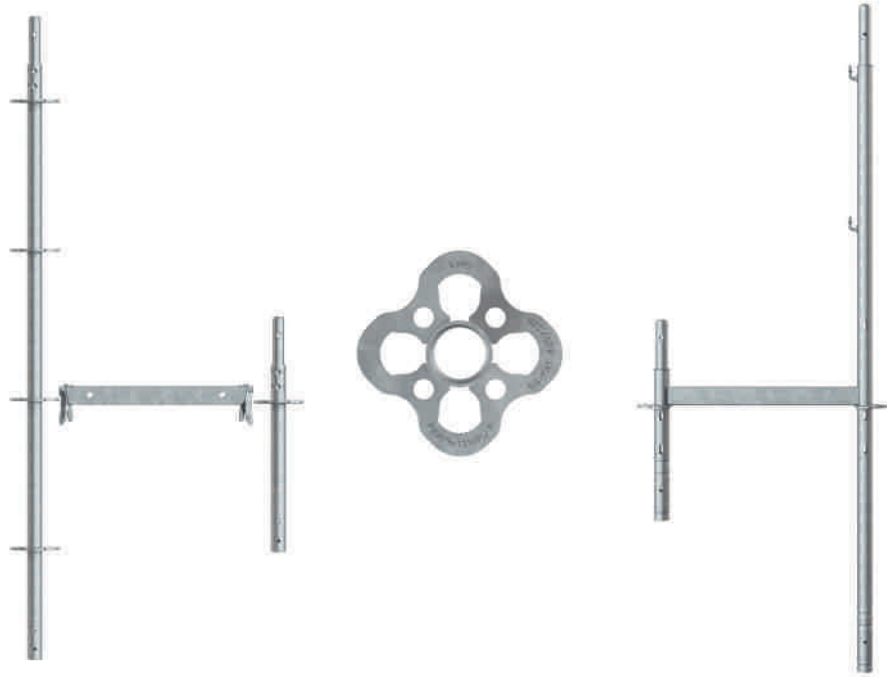
Special range of applications

Combination possibilities with PERI UP Flex

The focus of the development of a new facade scaffold was on combining the assembly speed along with the mounting of the guardrails in advance from the frame scaffolding with the flexibility of a modular system.

Due to the integrated scaffold node on the Easy Frame, PERI UP Easy can be combined with PERI UP Flex modular system. The consistent orientation of the entire PERI UP scaffolding technology in having a metric grid along with the same decking system for all PERI UP scaffolding applications provide almost unlimited solution possibilities.

The Rosette node is integrated on the standards of the PERI UP Flex modular scaffolding as well as the Easy Frame.



Customer benefits:

- Minimization of system components for all applications in professional scaffolding operations
- Maximum utilization rate of the components, i.e. maximum efficiency with minimized investment requirements

Another positive aspect for users:

- All system components of the PERI UP Flex modular scaffolding are also available in the PERI rental parks
- Peak requirements for larger projects can be cost-effectively covered
- Even very special project requirements can be easily fulfilled through the renting of materials



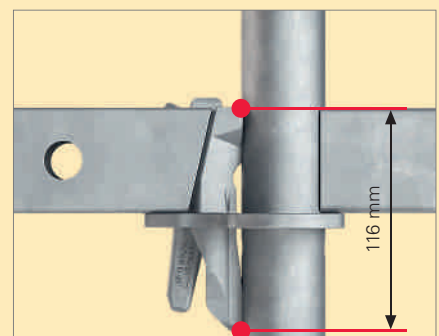
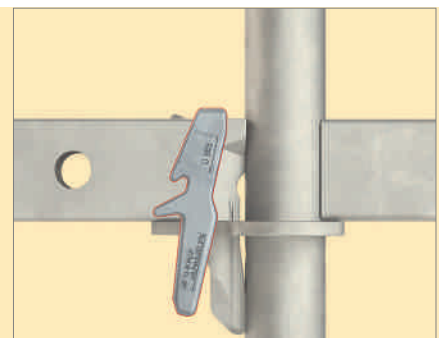
Fast and safe due to the Gravity Lock

The PERI UP ledgers, console brackets and supports have a connection in the form of a wedge which is hooked into the rosette opening. Thereby, the Gravity Lock drops into the rosette opening due to its own weight and is self-locking. The wedge is then secured in position with one blow of a hammer.

The ledger connection can be easily and accurately hooked in also at a distance. This well-designed mechanism of the node connection also prevents accidental loosening due to any impacts on the underside of the ledger.

The special shape of the node and ledger connection leads to a particularly high node rigidity which ensures the high load-bearing capacity of all scaffolding solutions with PERI UP.

The wide contact point spacing of the ledger head on the standard results in a high level of flexural strength in the connection area and thus to high bending and load-bearing capacities.



Special range of applications

Combination possibilities with PERI UP Flex

PERI UP Easy and PERI UP Flex are compatible in 3 dimensions

- Horizontally:**
 through the Rosett node
 (¾ Rosett)
- Vertically:**
 through height adjustment of the
 Easy Frame in (metric) Flex grid
 arrangement
- Decking logic:**
 through identical decking ledger
 execution

Vertically:
suitable for the Flex grid arrangement 150 cm

Vertically:
suitable for the Flex grid arrangement 50 cm

Decking logic

Horizontally:
¾ Rosett

Presentation of the Tube EVR 150 and Easy Frame EVF.

PERI UP

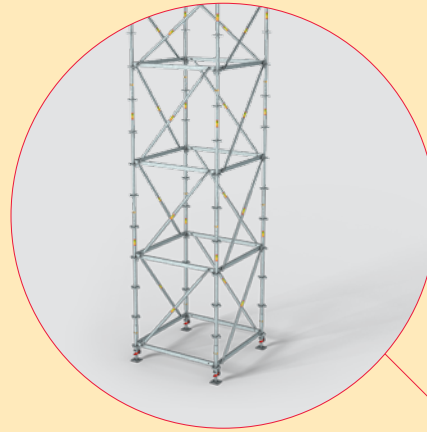
PERI UP Easy (Frame Scaffolding)		PERI UP Flex (Modular Scaffolding)
<p>System height</p> <p>System length</p> <p>System width</p> <p>System height fixed 2.00 m</p> <p>System widths fixed 67 cm and 100 cm</p> <p>System lengths in 50 cm increments</p> <p>Optimized for fast working operations in facade scaffolding construction</p>	<p>↔</p> <p>↔</p> <p>↔</p> <p>↔</p>	<p>System height in 50 cm increments</p> <p>System widths in 25 cm increments</p> <p>System lengths in 25 cm increments</p> <p>Optimized regarding maximum flexibility for geometric adjustments in more complex scaffold construction</p>

The PERI UP Construction Kit – applications and products

PERI UP Easy Frame Scaffolding and PERI UP Flex Modular Scaffolding

Shoring Systems

- PERI UP Flex Shoring Tower
- PERI UP Flex Shoring Tower Plus
- PERI UP Flex Shoring Tower MDS K
- PERI UP Flex Heavy-Duty Prop HD



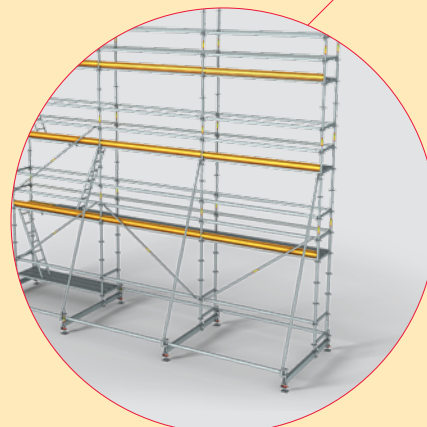
Access

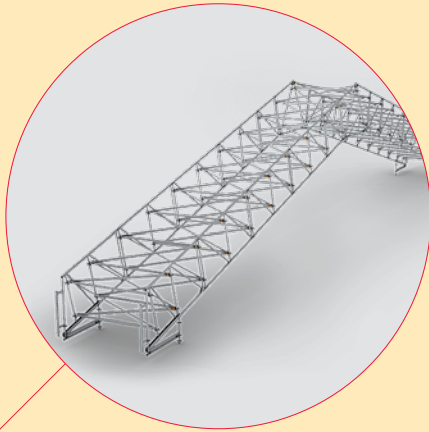
- PERI UP Flex Staircase 75 / 100 / 125



Working Scaffolding

- PERI UP Flex Reinforcement Scaffold 75 / 100
- PERI UP Flex Trench Bridge





Safety Scaffold

- PERI UP Flex Weather Protection Roof LGS 150
- PERI UP Working Platform LGS 150



Facade Scaffolding

- PERI UP Easy Facade Scaffolding 67 / 100
- PERI UP Flex Facade Scaffolding 67 / 75 / 100



Industrial Scaffolding

- PERI UP Flex Working Platform
- PERI UP Flex Suspended Scaffold

PERI UP Easy in use

The wide range of applications of the PERI UP Easy



Holy Spirit Church, Augsburg, Germany



Residential Facility Killisfeldstraße, Karlsruhe, Germany



Expansion of the Zeiss Semiconductor Technology Plant, Oberkochen, Germany



Fünfknopf Tower, Kaufbeuren, Germany



Renovation of an apartment building, Ulm, Germany



New office and residential building, Frickenhausen, Germany

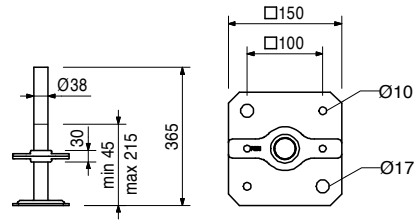
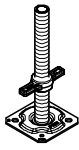


House renovation, Landau, Germany

Item no.	Weight kg
116762	2.830

Adj. Base Plate UJB 38-36/17

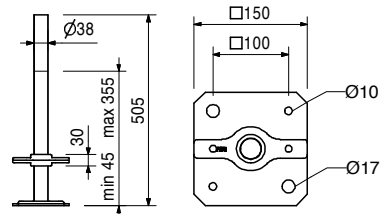
Note
With captive white Quick Jack Nut.



100411	3.390
--------	-------

Adj. Base Plate UJB 38-50/30

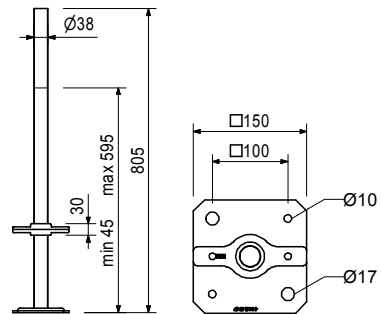
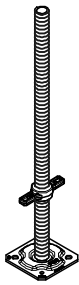
Note
With captive red Quick Jack Nut.



100242	4.570
--------	-------

Adj. Base Plate UJB 38-80/55

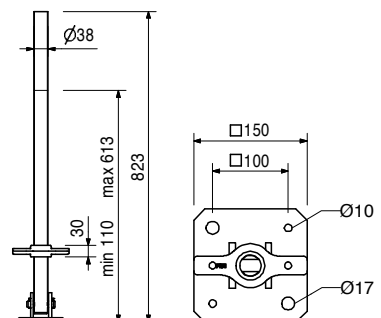
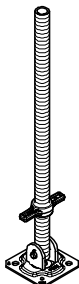
Note
With captive yellow Quick Jack Nut.



100159	5.120
--------	-------

Adj. Base Plate UJS 38-80/50 Swivel

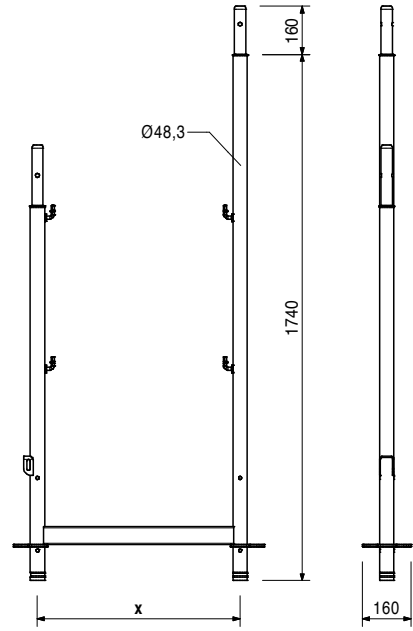
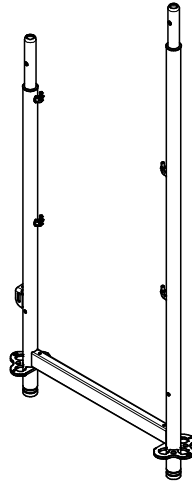
Note
With captive yellow Quick Jack Nut.



Item no.	Weight kg
130518	13.200
130858	14.200

Base Frames EVB
Base Frame EVB 67
Base Frame EVB 100

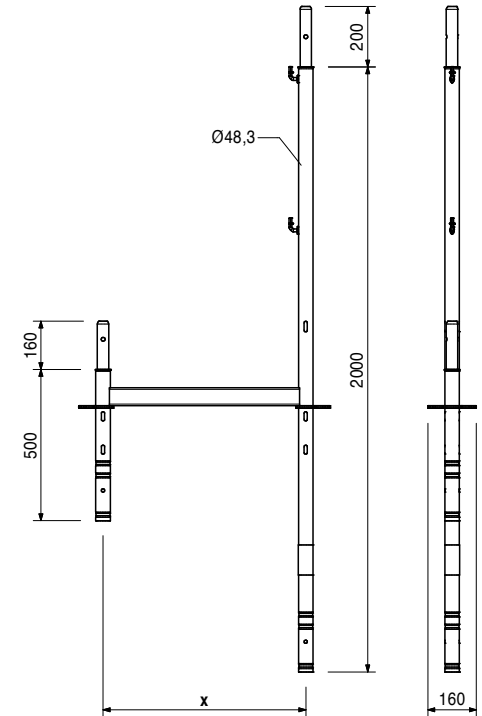
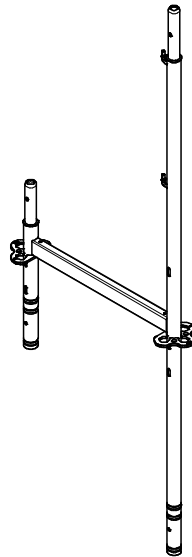
X
670
1000



130466	11.500
130860	12.500

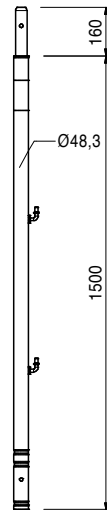
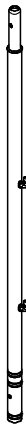
Easy Frames EVF
Easy Frame EVF 67
Easy Frame EVF 100

X
670
1000



Item no.	Weight kg
130481	5.140

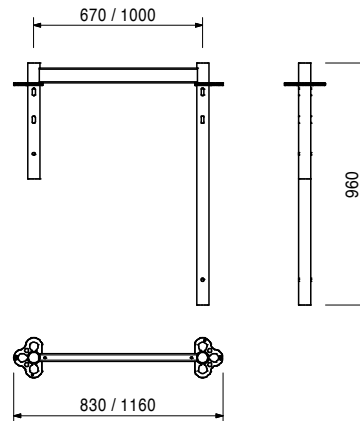
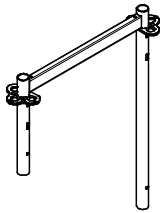
Tube EVR 150
Supplements Easy Frame EVF.



129314	8.370
130804	9.390

Head Frames EVH
Head Frame EVH 67
Head Frame EVH 100

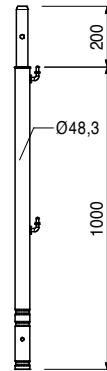
For completing the top section on the scaffold when using Console Brackets ECM to increase width of scaffold.



Item no.	Weight kg
130512	3.720

Guardrail Post EVP

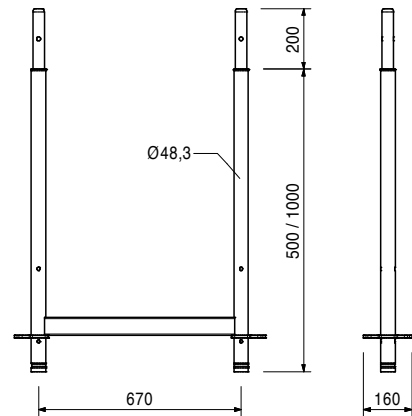
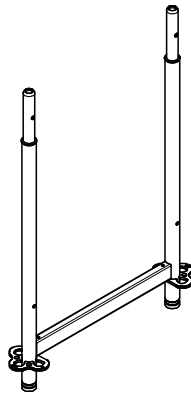
For completing the top section on the scaffold in connection with Console Brackets ECM or Protection Panel EPS.



130522	7.020
130526	10.000

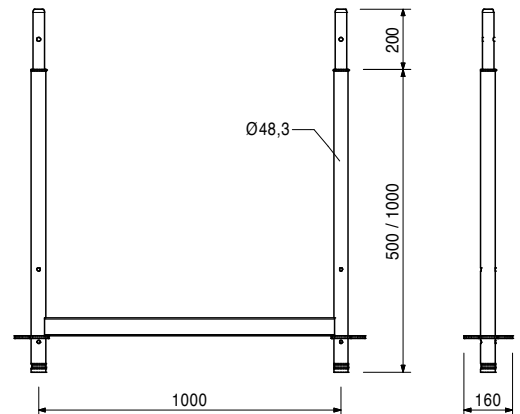
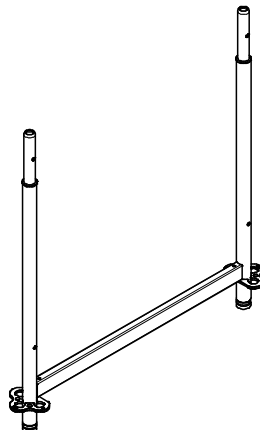
Base Adjust EVA
Base Adjust EVA 67/50
Base Adjust EVA 67/100

Allows height adjustments.



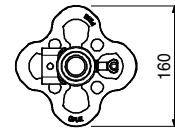
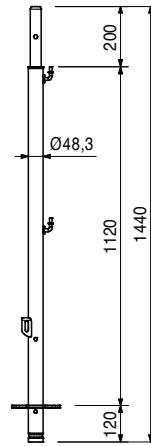
130854	8.040
130856	11.100

Base Adjust EVA
Base Adjust EVA 100/50
Base Adjust EVA 100/100



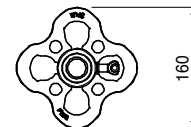
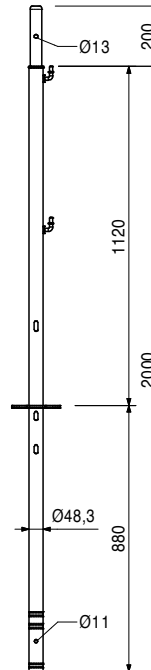
Item no. Weight kg

130619 5.090 Easy Base Post EVS 124



130621 7.260

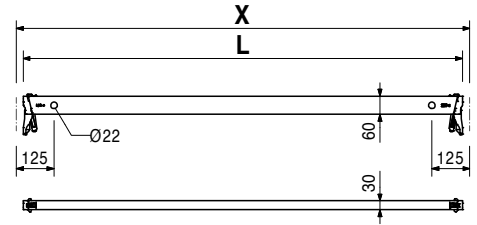
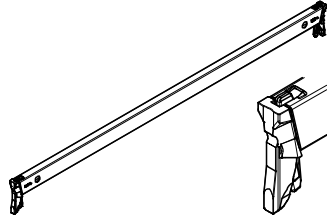
Easy Post EVM 200



Item no.	Weight kg
129982	2.520
114629	2.730
114632	4.390
114641	4.710
114645	6.040
114648	7.360
114651	8.680

Ledgers UH Plus
Ledger UH 67 Plus
Ledger UH 75 Plus
Ledger UH 100 Plus
Ledger UH 150 Plus
Ledger UH 200 Plus
Ledger UH 250 Plus
Ledger UH 300 Plus

L	X
624	670
704	750
954	1000
1454	1500
1954	2000
2454	2500
2954	3000

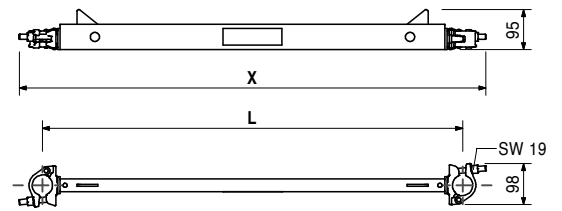
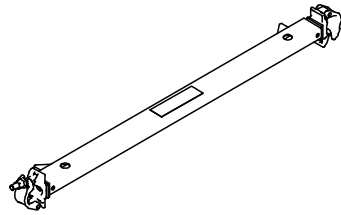


130009	3.410
127533	3.620
127537	5.310

Coupler Ledgers UHC
Coupler Ledger UHC 67
Coupler Ledger UHC 75
Coupler Ledger UHC 100

For decking levels at any height and bracing of lattice girders.

L	X
670	780
750	860
1000	1110

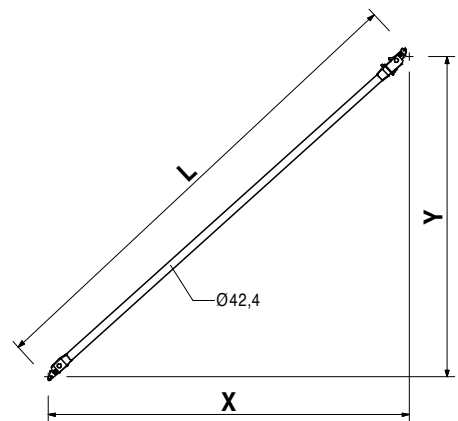
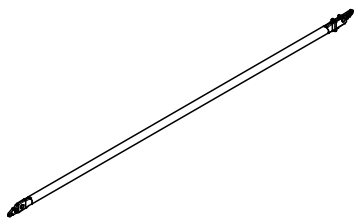


130162	5.030
130171	5.750
130180	6.570
130189	7.460

Face Braces EBF
Face Brace EBF 150/200
Face Brace EBF 200/200
Face Brace EBF 250/200
Face Brace EBF 300/200

L	X	Y
2216	1500	2000
2577	2000	2000
2979	2500	2000
3406	3000	2000

Note
 Longitudinally-stamped for easier identification.

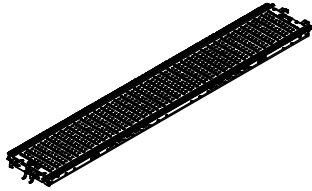


Item no. Weight kg

130450	5.420
130448	7.360
130445	10.300
130441	13.300
130438	16.200
129272	19.200

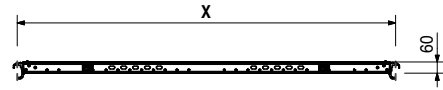
Steel Decks EDS 33
Steel Deck EDS 33 x 67
Steel Deck EDS 33 x 100
Steel Deck EDS 33 x 150
Steel Deck EDS 33 x 200
Steel Deck EDS 33 x 250
Steel Deck EDS 33 x 300

Mounted on the Ledgers of the frame components or Ledgers UH.



X	perm. p [kN/m ²]
670	6.0
1000	6.0
1500	6.0
2000	6.0
2500	4.5
3000	3.0

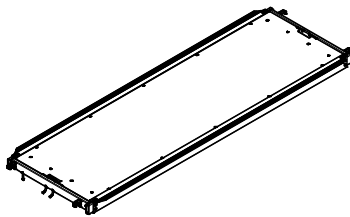
Note
 Perm. p according to DIN EN 12811-1.



130321	13.200
130317	16.300
130313	19.700
130309	22.800

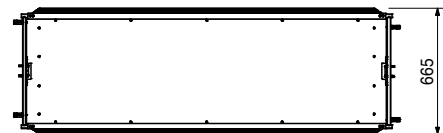
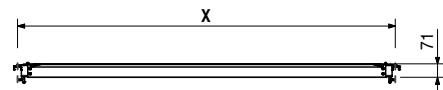
Combi Decks EDW
Combi Deck EDW 150
Combi Deck EDW 200
Combi Deck EDW 250
Combi Deck EDW 300

Mounted on Ledgers or Ledgers UH.



X	perm. p [kN/m ²]
1500	2.0
2000	2.0
2500	2.0
3000	2.0

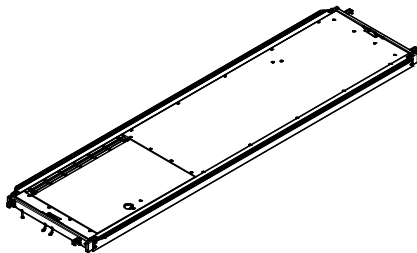
Note
 Load Class 3, 2.0 kN/m².



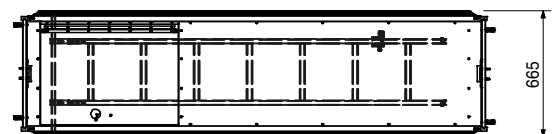
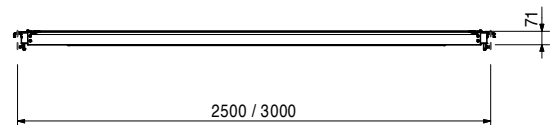
130431	26.100
130425	29.500

Ladder Accesses EAW
Ladder Access EAW-L 250
Ladder Access EAW-L 300

Mounted on Ledgers or Ledgers UH.



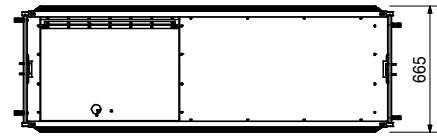
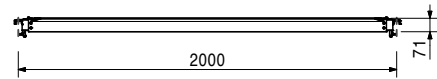
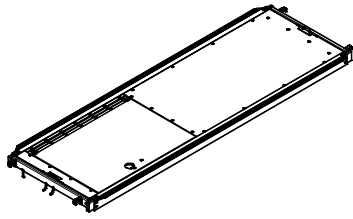
Note
 Load Class 3, 2.0 kN/m².



Item no.	Weight kg
130426	18.700

Access Deck EAW 200
Mounted on Ledgers or Ledgers UH.

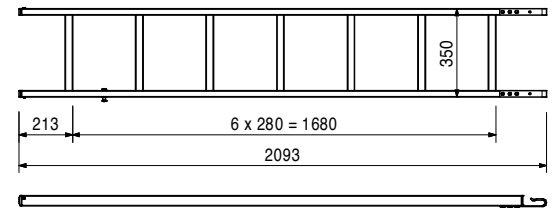
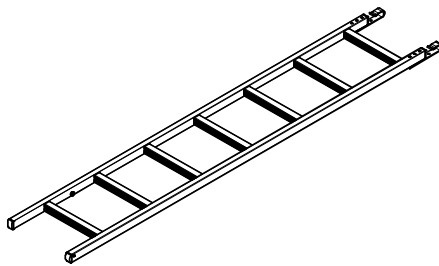
Note
Load Class 3, 2.0 kN/m².



Accessories
Ladder EAL

130419	3.800
--------	-------

Ladder EAL
For Mounting to Access Deck EAW 200.

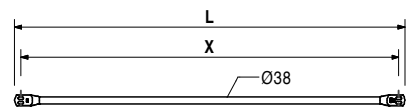
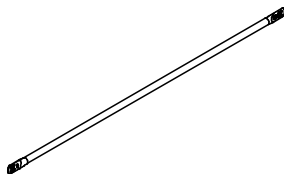


130191	1.150
130193	1.680
130195	2.480
130197	3.280
130199	4.090
130201	4.890

Guardrails EPG
Guardrail EPG 67
Guardrail EPG 100
Guardrail EPG 150
Guardrail EPG 200
Guardrail EPG 250
Guardrail EPG 300

L	X
735	670
1065	1000
1565	1500
2065	2000
2565	2500
3065	3000

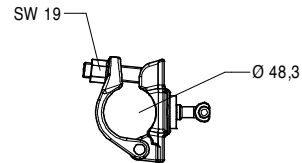
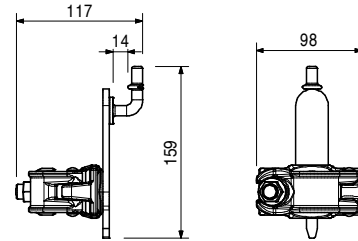
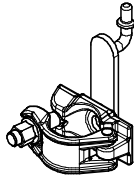
Note
Longitudinally-stamped for easier identification.



Item no.	Weight kg
130434	1.100

Guardrail Coupler EPR

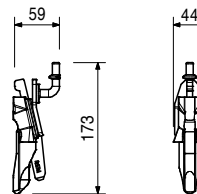
For mounting Guardrails EPG to the scaffold post in any height position.



130562	0.623
--------	-------

Guardrail Holder EPW

For mounting Guardrails EPG to the rosettes.



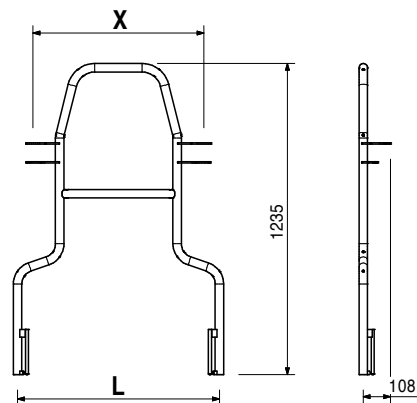
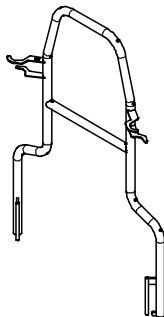
130476	6.230
130577	6.500

Advance Guardrails UPA
Advance Guardrail UPA 67
Advance Guardrail UPA 75

Assembly in advance.

L	X
801	670
881	750

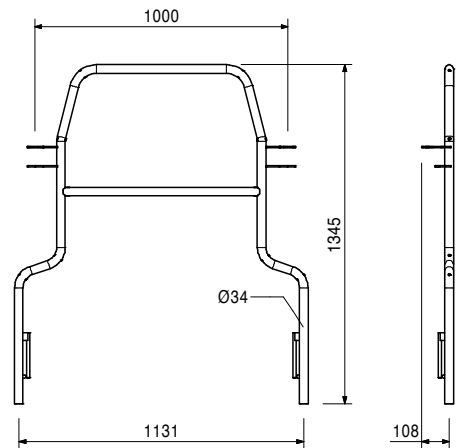
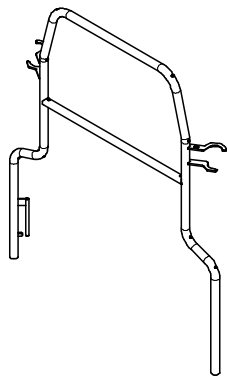
Note
 Toeboard wood / toebord not integrated.



Item no.	Weight kg
130583	7.600

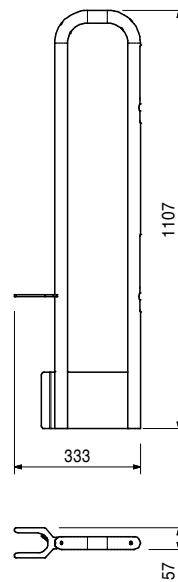
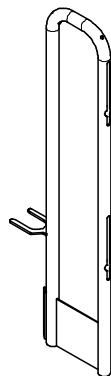
Advance Guardrail UPA 100
 Assembly in advance.

Note
 Toeboard wood / toebord not integrated.



130233	4.480
--------	-------

End Guardrail EPF 33
 Assembly not in advance.

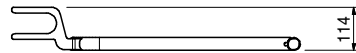
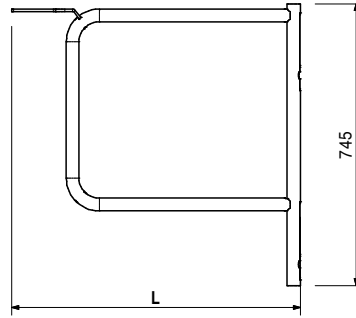
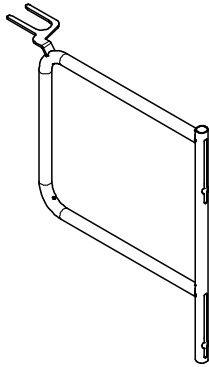


Item no.	Weight kg
130228	3.630
130592	3.880
130225	4.660

End Guardrails EPF
End Guardrail EPF 67
End Guardrail EPF 75
End Guardrail EPF 100

L
 683
 763
 1013

Assembly not in advance.



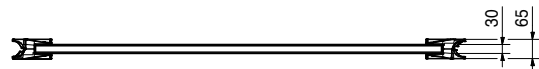
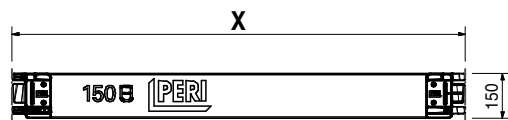
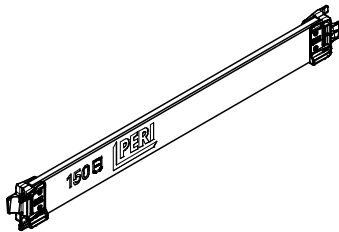
129490	1.190
129492	1.550
129494	1.720
129496	2.250
129498	3.320
129500	4.390
129502	5.460
129504	6.520

Toeboards Wood UPF
Toeboard Wood UPF 50
Toeboard Wood UPF 67
Toeboard Wood UPF 75
Toeboard Wood UPF 100
Toeboard Wood UPF 150
Toeboard Wood UPF 200
Toeboard Wood UPF 250
Toeboard Wood UPF 300

X
 500
 670
 750
 1000
 1500
 2000
 2500
 3000

Note

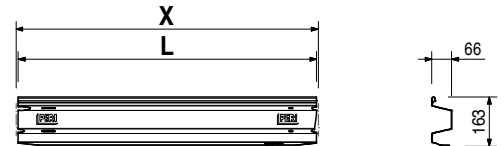
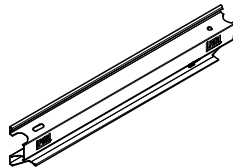
- Standard version: surface, yellow coated.
- Individual design of toeboards in colouring and imprint possible on request.



Item no.	Weight kg		L	X
110213	0.928	Toeboards Steel UPY	486	500
129947	1.280	Toeboard Steel UPY 50	656	670
110514	1.440	Toeboard Steel UPY 67	736	750
110073	1.960	Toeboard Steel UPY 100	986	1000
110160	3.000	Toeboard Steel UPY 150	1486	1500
110176	4.030	Toeboard Steel UPY 200	1986	2000
110208	5.060	Toeboard Steel UPY 250	2486	2500
110211	6.100	Toeboard Steel UPY 300	2986	3000

Note

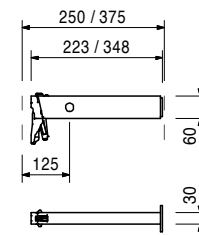
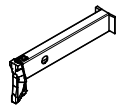
- Standard version: surface, yellow coated.
- Individual design of toeboards in colouring and imprint possible on request.



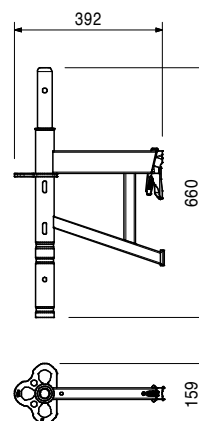
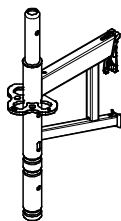
115959	1.160	Supports UC		
130390	1.360	Support UC 25		
		Support UC 33		

Note

Small console with end stop for the secure positioning of the decks.

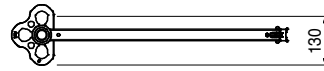
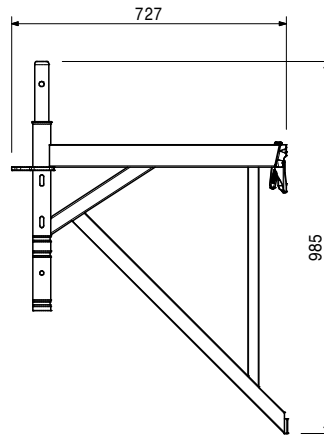
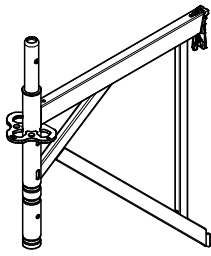


130378	4.550	Console Bracket ECM 33		
--------	-------	-------------------------------	--	--



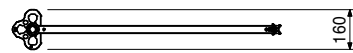
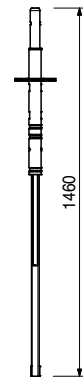
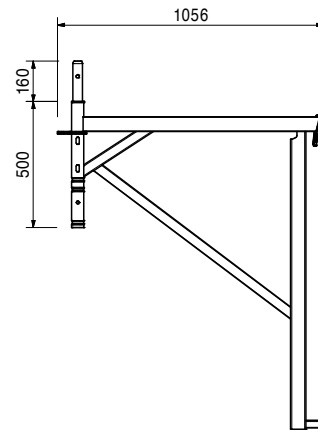
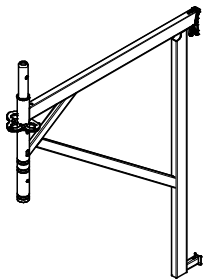
Item no.	Weight kg
130372	7.430

Consols Bracket ECM 67



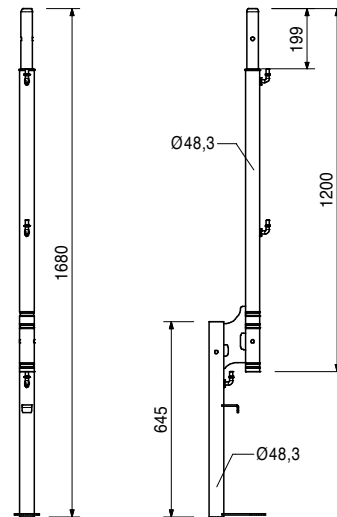
130365	11.100
--------	--------

Console Bracket ECM 100



Item no.	Weight kg
130532	6.640

Protection Panel Post EPS
For assembling a protection panel.



Accessories

130378	4.550
130372	7.430
130365	11.100
130512	3.720

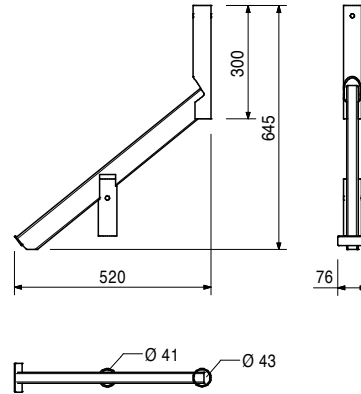
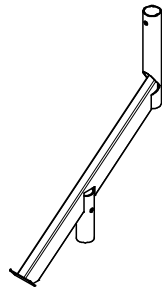
Console Bracket ECM 33
Consols Bracket ECM 67
Console Bracket ECM 100
Guardrail Post EVP

130385	2.970
--------	-------

Connection Protect Panel EPC
For assembling a protection roof.

Note

Alternative accessories:
100719 Bolt ISO 4014 M10 x 70-8.8



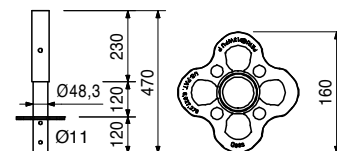
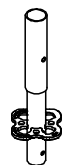
Accessories

130372	7.430
130365	11.100
123480	0.080

Consols Bracket ECM 67
Console Bracket ECM 100
Tube Clip 10 x 60, galv.

100014	2.470
--------	-------

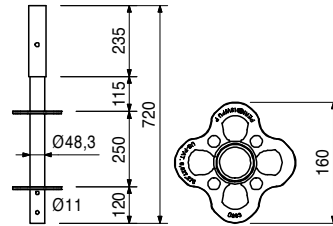
Base Standard UVB 24
For assembly directly on the base spindle.



Item no.	Weight kg
117194	3.980

Base Standard UVB 49

For assembly directly on the base spindle.
Reduces necessary spindle extension lengths
through distance between rosettes of 25 cm.



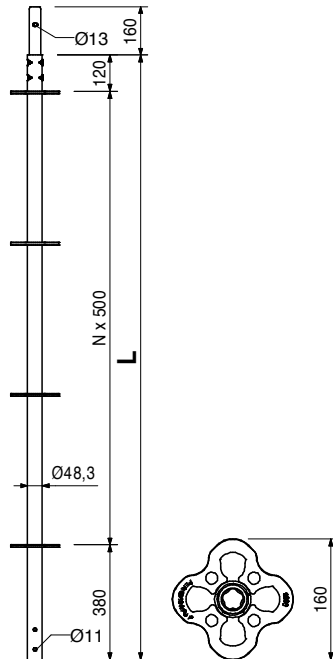
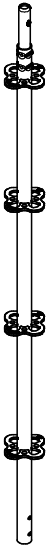
102859	3.080
101306	5.380
102860	7.690
100009	10.000
100012	14.700

Standards UVR

Standard UVR 50
Standard UVR 100
Standard UVR 150
Standard UVR 200
Standard UVR 300

L

500
1000
1500
2000
3000



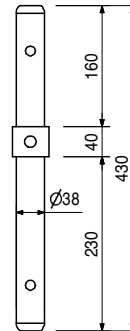
Item no.	Weight kg
105372	1.340

Spigot w. Spacer URE 4/42

For attaching to Collar URP and Connector ULS Flex; spacer allows assembly in grid system.

Note

For attaching to Head Frame EVH with Easy; spacer allows assembly in grid system.



Accessories

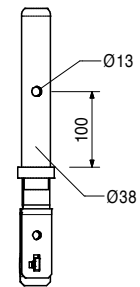
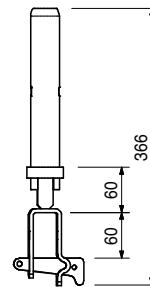
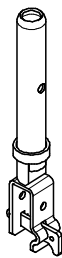
780356	0.011
100719	0.060

Nut ISO 7042 M10-8, galv.

Bolt ISO 4014 M10 x 70-8.8 MU

130681	1.360
--------	-------

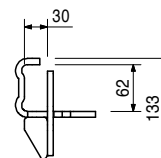
UH-Spigot-2



101731	0.841
--------	-------

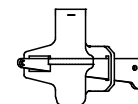
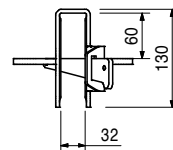
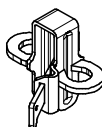
Ledger to Ledger Coupler UHA

For connecting ledger to ledger at right-angles.



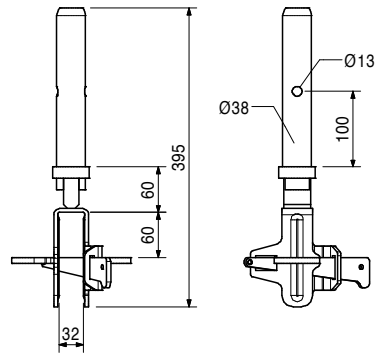
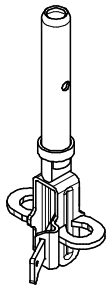
110793	1.090
--------	-------

Ledger to Ledger Coupler UHA Half



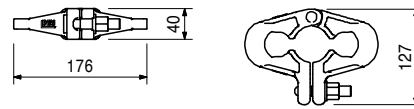
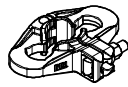
Item no.	Weight kg
130684	2.030

Ledger to Ledger Coupler UHA-2 with Spigot



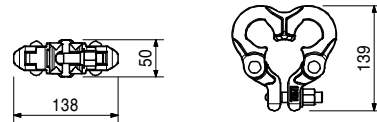
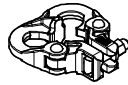
116306	1.700
--------	-------

Rosett Coupler UEV 180°



126453	1.630
--------	-------

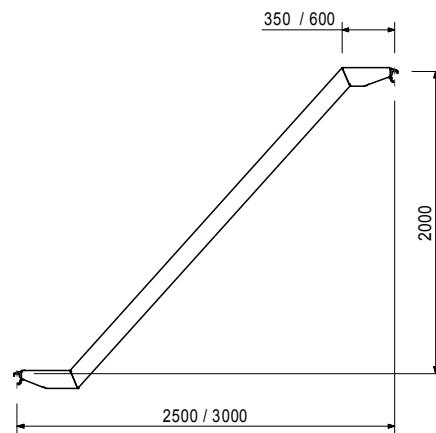
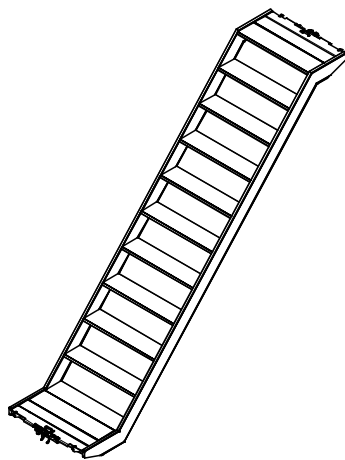
Rosett Coupler UEV 90°



111117	28.000
111124	32.900

Staircase UAS, Alu
Staircase UAS 75 x 250/200, Alu
Staircase UAS 75 x 300/200, Alu
 Assembly on Ledgers UH.

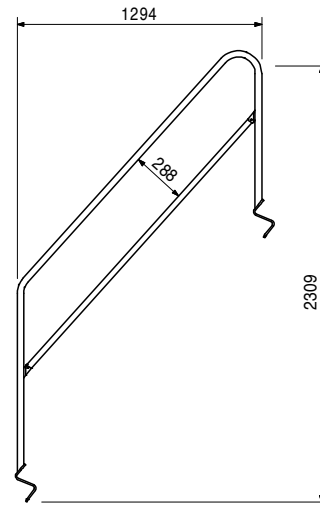
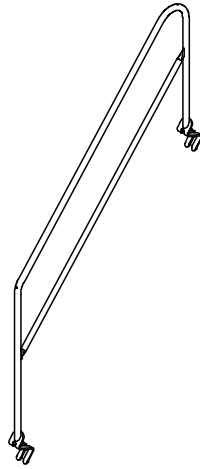
Technical Data
 Permissible load 2.0 kN/m².



Item no.	Weight kg
100742	10.000

Stair Guardrail UAG

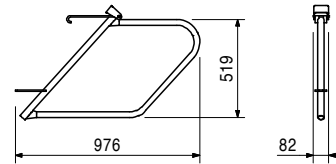
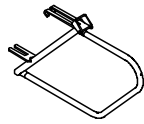
Suitable for Staircases UAS 64 x 250/200, UAS 64 x 300/200, UAS 75 x 250/200 and UAS 75 x 300/200 as internal and external guardrail.



100830	4.970
--------	-------

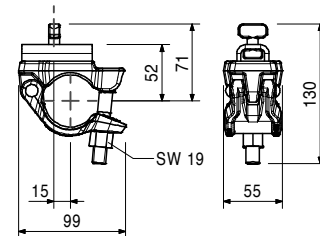
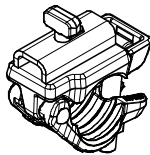
Stair Guardrail UAH

For fixing to the stringers of the Staircase Units UAS 64 x 250/200, UAS 64 x 300/200, UAS 75 x 250/200, UAS 75 x 300/200.



130964	1.020
--------	-------

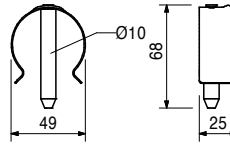
Wall Tie Holder EWC



Item no.	Weight kg
111053	0.059

Locking Pin Ø 48/57

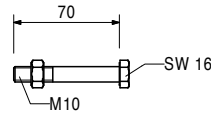
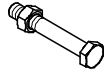
As tension-proof connection of standards with a diameter of 48 up to 57 mm.



100719	0.060
--------	-------

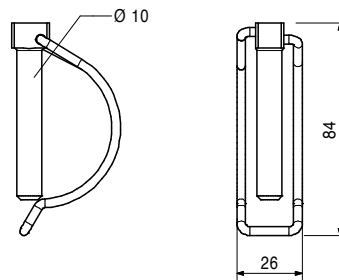
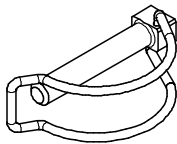
Bolt ISO 4014 M10 x 70-8.8 MU

As tension-proof connection of standards for suspended scaffolds or lattice girders.



123480	0.080
--------	-------

Tube Clip 10 x 60, galv.



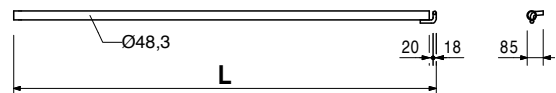
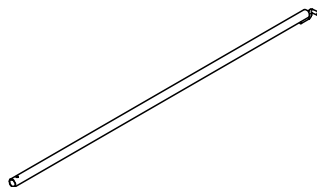
100088	1.920
100091	4.680
100093	5.870
102951	7.060

Wall Ties UWT

Wall Tie UWT 45
Wall Tie UWT 110
Wall Tie UWT 140
Wall Tie UWT 170

L

488
 1138
 1438
 1738



100693	0.169
100694	0.190
100695	0.250

Ring Bolts UFE
Ring Bolt UFE 12/90
Ring Bolt UFE 12/120
Ring Bolt UFE 12/190

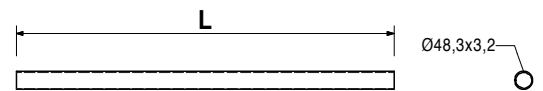
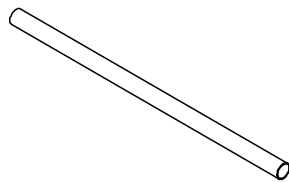
For assembling the Wall Tie UWT. Wall Insert UFI 14 required.

Note

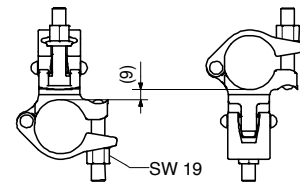
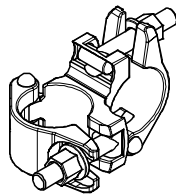
With marking for screw-in depth.

Item no.	Weight kg	
100696	0.007	Wall Insert UFI
100697	0.009	Wall Insert UFI 14/70
100698	0.010	Wall Insert UFI 14/100
		Wall Insert UFI 14/135

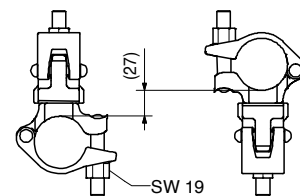
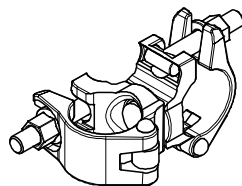
			L
026415	3.550	Scaffold Tubes Steel Ø 48.3 x 3.2	
026417	0.000	Scaff. Tube Steel Ø 48.3 x 3.2, special length	
026411	3.550	Cutting Cost Scaffold Tube	
026412	7.100	Scaff. Tube Steel Ø 48.3 x 3.2, l = 1.0 m	1000
026413	10.650	Scaff. Tube Steel Ø 48.3 x 3.2, l = 2.0 m	2000
026414	14.200	Scaff. Tube Steel Ø 48.3 x 3.2, l = 3.0 m	3000
026419	17.750	Scaff. Tube Steel Ø 48.3 x 3.2, l = 4.0 m	4000
026418	21.600	Scaff. Tube Steel Ø 48.3 x 3.2, l = 5.0 m	5000
		Scaff. Tube Steel Ø 48.3 x 3.2, l = 6.0 m	6000



017020	1.120	Standard Coupler NK 48/48, galv. For Scaffold Tubes Ø 48 mm.
--------	-------	--



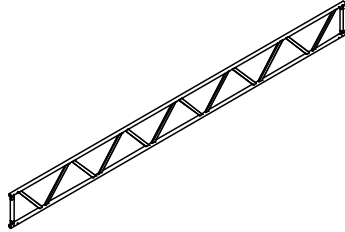
017010	1.400	Swivel Coupling DK 48/48, galv. For Scaffold Tubes Ø 48 mm.
--------	-------	---



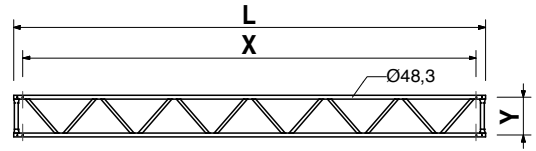
Item no. Weight kg

		Latt. Girders Steel ULS
100330	41.700	Latt. Girder Steel ULS 50/425
100336	50.900	Latt. Girder Steel ULS 50/525
100339	60.200	Latt. Girder Steel ULS 50/625
100185	54.800	Latt. Girder Steel ULS 70/525
100183	64.500	Latt. Girder Steel ULS 70/625
100852	83.600	Latt. Girder Steel ULS 70/825

To bridge openings. For system-free application.

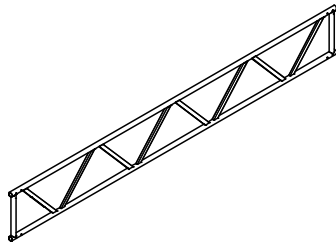


L	X	Y
4250	4000	500
5250	5000	500
6250	6000	500
5250	5000	700
6250	6000	700
8250	8000	700

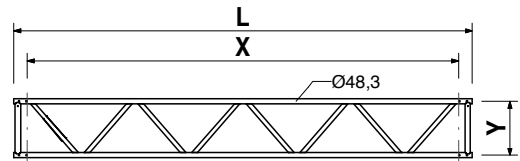


		Latt. Girders Alu ULA
101656	18.400	Latt. Girder Alu ULA 50/425 HD
101657	22.500	Latt. Girder Alu ULA 50/525 HD
101658	26.500	Latt. Girder Alu ULA 50/625 HD
101659	37.400	Latt. Girder Alu ULA 70/825 HD

To bridge openings. For system-free application.



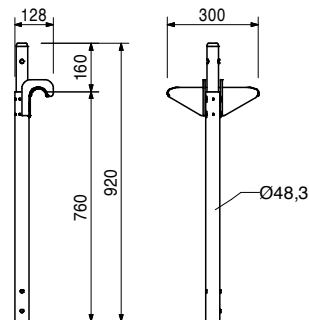
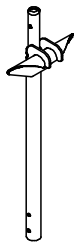
L	X	Y
4250	4000	500
5250	5000	500
6250	6000	500
8250	8000	700



100529 5.260

Starter Tube ULB 50/70
For Lattice Girder ULS and ULA.

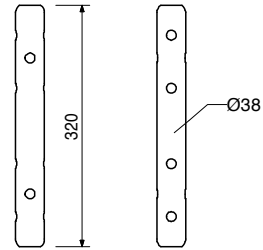
Note
Only use with system-free girder assembly.



Item no.	Weight kg
100301	1.020

Spigot ULT 32

Lose pin for connecting Scaffold Tubes \varnothing 48.3 x 3.2 mm, e.g. top standards, lattice girders.



Accessories

111053	0.059
100719	0.060

Locking Pin \varnothing 48/57

Bolt ISO 4014 M10 x 70-8.8 MU

124124	3.880
124121	5.260
124118	6.630
124115	8.010
124112	9.410
124109	12.200
123771	14.900
124915	17.700

Steel Decks UDG

Steel Deck UDG 25 x 50

Steel Deck UDG 25 x 75

Steel Deck UDG 25 x 100

Steel Deck UDG 25 x 125

Steel Deck UDG 25 x 150

Steel Deck UDG 25 x 200

Steel Deck UDG 25 x 250

Steel Deck UDG 25 x 300

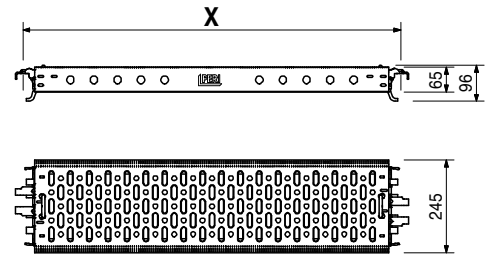
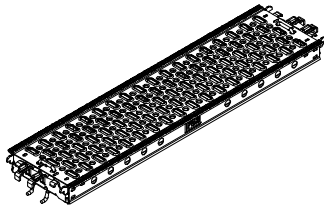
Mounted on Ledgers UH.

X	perm. p [kN/m ²]	max. p [kN/m ²]
500	6.0	40.0
750	6.0	40.0
1000	6.0	40.0
1250	6.0	28.4
1500	6.0	19.6
2000	6.0	10.9
2500	4.5	6.9
3000	3.0	4.7

Note

Perm. p according to DIN EN 12811-1.

max. p = maximum possible load without deflection limitation.



Item no.	Weight kg		L	X	Y
		Ledger Braces UBL			
115156	2.650	Ledger Brace UBL 100/50	901	1000	500
115513	4.630	Ledger Brace UBL 100/150	1677	1000	1500
115157	5.800	Ledger Brace UBL 100/200	2136	1000	2000
107867	3.780	Ledger Brace UBL 150/50	1347	1500	500
100055	4.430	Ledger Brace UBL 150/100	1601	1500	1000
102846	5.330	Ledger Brace UBL 150/150	1953	1500	1500
100057	6.370	Ledger Brace UBL 150/200	2358	1500	2000
109034	6.730	Ledger Brace UBL 175/200	2500	1750	2000
104391	4.990	Ledger Brace UBL 200/50	1820	2000	500
100059	5.490	Ledger Brace UBL 200/100	2016	2000	1000
102862	6.230	Ledger Brace UBL 200/150	2305	2000	1500
100061	7.140	Ledger Brace UBL 200/200	2658	2000	2000
117689	7.570	Ledger Brace UBL 225/200	2829	2250	2000
100063	6.630	Ledger Brace UBL 250/100	2462	2500	1000
102861	7.250	Ledger Brace UBL 250/150	2705	2500	1500
100065	8.030	Ledger Brace UBL 250/200	3010	2500	2000
104762	7.480	Ledger Brace UBL 300/50	2795	3000	500
100067	7.820	Ledger Brace UBL 300/100	2926	3000	1000
104766	8.350	Ledger Brace UBL 300/150	3133	3000	1500
100069	9.030	Ledger Brace UBL 300/200	3400	3000	2000

Mounted in the holes of the ledger.

Note

Longitudinally-stamped and with coloured label for easier identification.

UBL 150/250 identical to UBL 300/50,

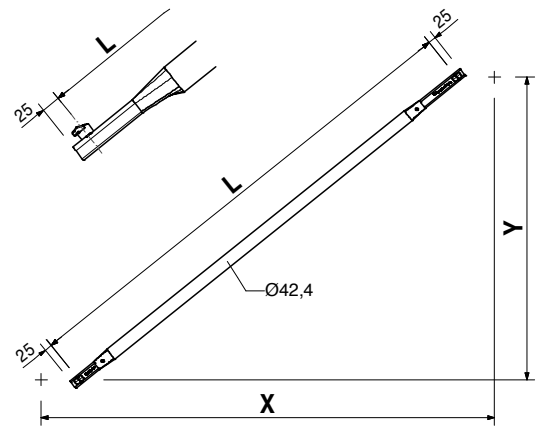
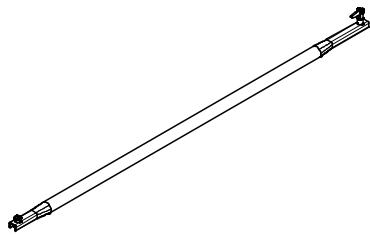
UBL 225/150 identical to UBL 175/200,

UBL 250/50 identical to UBL 200/150.

UBL 75/200 identical to UBL 225/50.

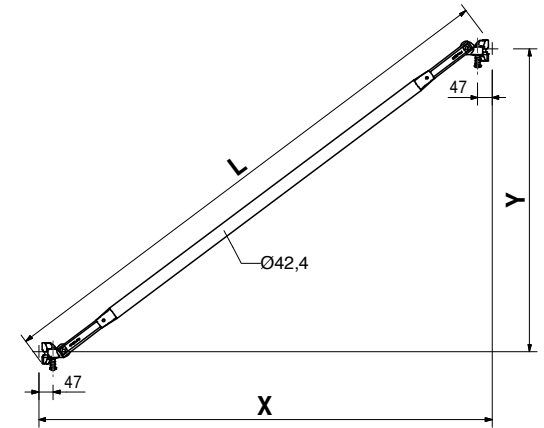
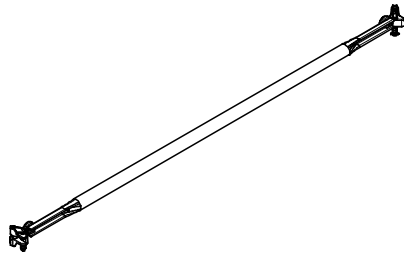
UBL 100/100 identical to Diagonal Strut ST 100

(Item no. 019940).



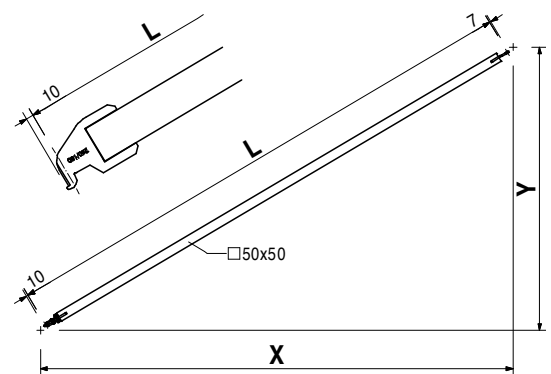
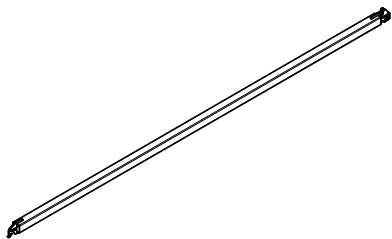
Item no.	Weight kg		L	X	Y
		Node Braces UBK			
112926	6.980	Node Brace UBK 100/200	2285	1000	2000
100981	5.700	Node Brace UBK 150/100	1821	1500	1000
100973	6.570	Node Brace UBK 150/150	2152	1500	1500
100572	7.590	Node Brace UBK 150/200	2539	1500	2000
100985	6.780	Node Brace UBK 200/100	2246	2000	1000
106630	7.500	Node Brace UBK 200/150	2521	2000	1500
100573	8.380	Node Brace UBK 200/200	2860	2000	2000
100989	7.930	Node Brace UBK 250/100	2696	2500	1000
106624	8.530	Node Brace UBK 250/150	2930	2500	1500
100574	9.300	Node Brace UBK 250/200	3226	2500	2000
100993	9.120	Node Brace UBK 300/100	3131	3000	1000
100575	10.300	Node Brace UBK 300/200	3625	3000	2000

For hooking into the small hole of the rosette.



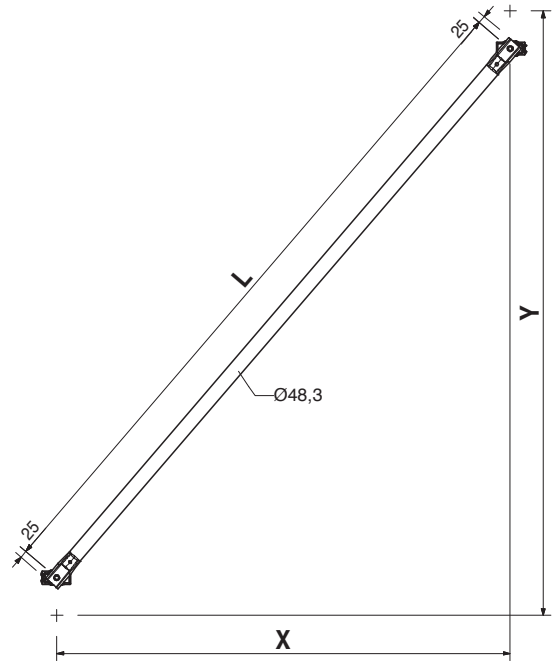
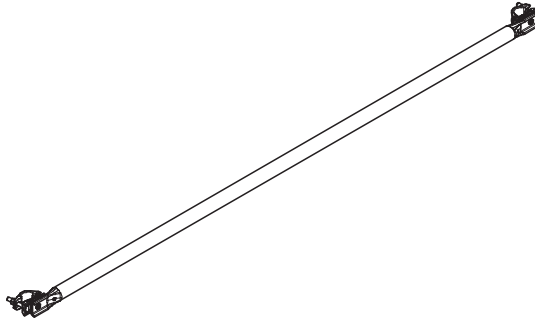
			L	X	Y
		H-Braces UBH Flex			
114912	6.650	H-Brace UBH Flex 150/150	2042	1500	1500
124097	7.770	H-Brace UBH Flex 200/150	2422	2000	1500
114916	8.730	H-Brace UBH Flex 200/200	2749	2000	2000
124101	8.990	H-Brace UBH Flex 250/150	2838	2500	1500
114920	9.830	H-Brace UBH Flex 250/200	3123	2500	2000
114928	10.800	H-Brace UBH Flex 250/250	3456	2500	2500
124105	10.300	H-Brace UBH Flex 300/150	3279	3000	1500
114924	11.000	H-Brace UBH Flex 300/200	3528	3000	2000
114932	11.900	H-Brace UBH Flex 300/250	3826	3000	2500
114936	12.900	H-Brace UBH Flex 300/300	4163	3000	3000

For horizontal bracing of towers. Also useable underneath deckings UDI and UDG.



Item no.	Weight kg		L	X	Y
		Coupler Braces UBC			
100416	9.520	Coupler Brace UBC 150/200	2305	1500	2000
100419	10.800	Coupler Brace UBC 200/200	2657	2000	2000
100422	12.200	Coupler Brace UBC 250/200	3052	2500	2000
100425	13.700	Coupler Brace UBC 300/200	3473	3000	2000

For special applications.
For connecting to Scaffold Tube Ø 48 mm.



113832	0.035	PERI UP Scaffold Tag To cordon off scaffolding areas not yet authorized for use. With the exception of inserting the PERI UP Assembly Certificate.
--------	-------	--



**The optimal System
for every Project and
every Requirement**



Wall Formwork



Column Formwork



Slab Formwork



Climbing Systems



Bridge Formwork



Tunnel Formwork



Shoring Systems



Construction Scaffold



Facade Scaffold



Industrial Scaffold



Access



Protection Scaffold



Safety Systems



**System-Independent
Accessories**



Services



PERI GmbH
Formwork Scaffolding Engineering
 Rudolf-Diesel-Strasse 19
 89264 Weissenhorn
 Germany
 Tel. +49 (0)7309.950-0
 Fax +49 (0)7309.951-0
 info@peri.com
 www.peri.com

