



NEW The MAXIMO Bracket MXK Pre-assembled platform system with lightweight brackets

Pre-assembled

Brackets, decking and anti-fall protection pre-assembled on the ground

Innovative

Lightweight and robust plastic floor covering

Safe

Safe system solutions - also for corner and filler areas

Compatible

Can be used with MAXIMO and TRIO



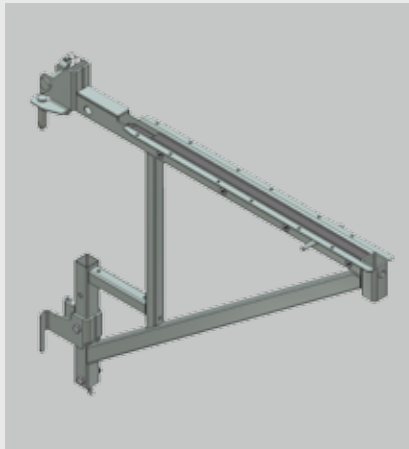
**Formwork
Scaffolding
Engineering**

www.peri.com

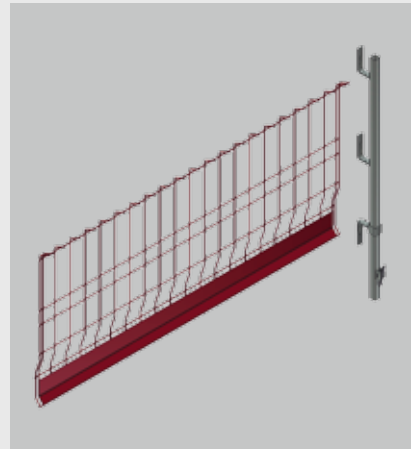
NEW MAXIMO Bracket MXK

Extremely safe: brackets can carry loads up to 150 kg/m²

With an 87 cm clear width, the MXK bracket can be mounted on the MAXIMO as well as TRIO panel formwork. A feature of the new system solution is the use of lightweight components and the safe assembly procedure: the brackets can be attached to the horizontally-positioned MAXIMO element. Fitted with plastic decking, self-securing posts and PROKIT side mesh barriers in the appropriate length, the entire construction is brought into position by crane with the help of an assembly aid.



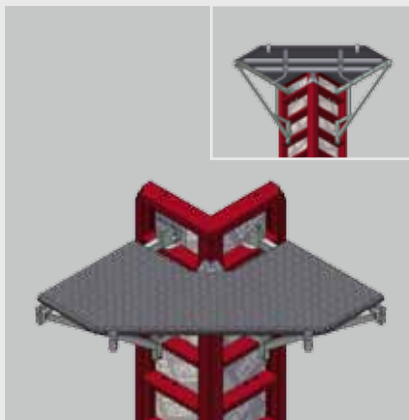
The new MXK brackets weigh only 11 kg each, and can be fitted with either lightweight plastic or conventional wooden flooring. The brackets have a plastic nailing strip which allows the timber flooring to be screwed on from below.



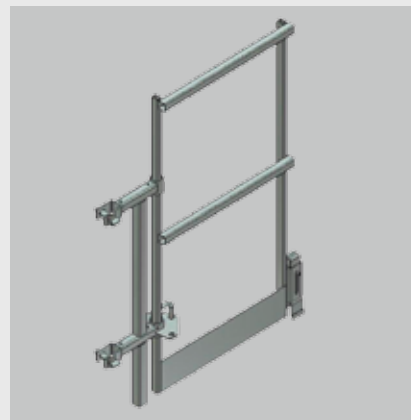
Anti-fall protection is provided through the proven PROKIT EP 110 mesh barrier which can also be used as edge protection (in accordance with EN 13374 Class A). The barrier, including the lift-off prevention mechanism, is mounted by means of the MX posts.



The plastic covering with non-slip surfaces is available in three lengths (240 cm, 120 cm and 90 cm). Each consists of several modules that can be easily replaced if damaged.



An aluminium scaffolding deck for outside corners completes the working platform solution. Furthermore, an aluminium scaffolding deck is available that can be used for compensation areas and internal corners.



The end handrail of the MAXIMO MXK brackets has three fixing positions (0°, 90° and 180°), but can otherwise be swivelled. The opposite handrail post holder and erection aid complement the range of system accessories.



**Formwork
Scaffolding
Engineering**

www.peri.com